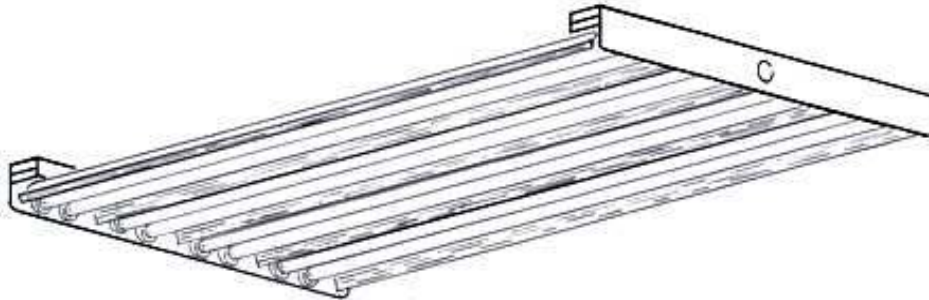


FHB14-8T5HO

**LINEAR FLUORESCENT HIGH BAY FIXTURE
8-LAMP T5HO**



FIXTURE FEATURES

- Highly efficient fluorescent fixture replaces HID in industrial and retail applications
 - Energy savings up to 50% dependent on application
 - 94% lumen maintenance verses 65% for typical metal halide
 - Higher maintained lumens per watt. As high as 68 LPW verses 40 for typical metal halide fixture
 - Consistent color over life of lamp
 - Instant restrike
 - Generates approximately half the heat of the typical metal halide
 - Superior color rendering verses metal halide
 - Wide array of lamp color available
- Specifically designed for high mounting height and high ambient temperature environments
- Highly specular polished aluminum contoured reflectors focus light downward to provide high quality vertical footcandles
- All steel parts are white powder coated after assembly to prevent any sharp or exposed steel edges

FIXTURE CONSTRUCTION

Die-embossed, code gage steel construction

REFLECTOR

Contoured polished aluminum reflector provides 95% reflectance and extremely high efficiency

FINISH

All steel parts of the fixture are white powder coated after assembly eliminating sharp unpainted edges and corners

BALLAST AND ELECTRICAL

Ballasts are energy efficient electronic, thermally protected, automatic resetting, class P, high power factor and sound rated A. Lamp holders are positive stop locking type

MOUNTING

Fixture are standard with hanging brackets and can be hung by cable or chain and also strut mounted

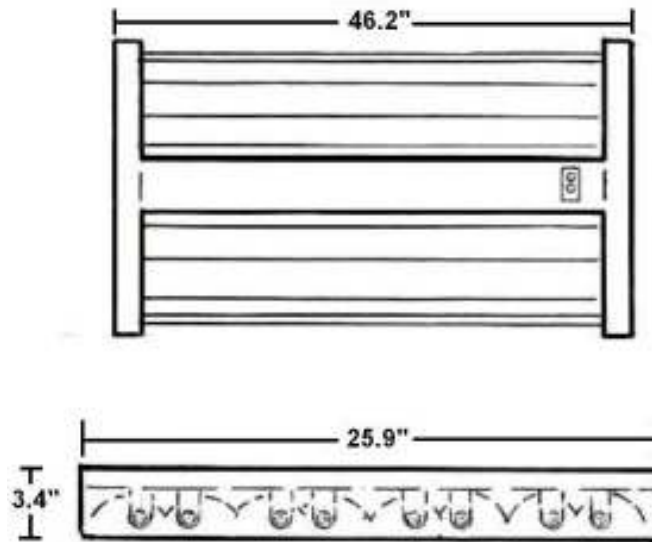
LISTING

ETL 3097700 listed, conforms to UL 1598. Certified to CSA C22.2 No. 250.0.

OPTIONAL ACCESSORIES

- Pendant mounting hardware
- Wire guard
- Hinged door with clear acrylic lens
- Hinged door with clear acrylic lens and integral wire guard

FIXTURE DIMENSIONS



PHOTOMETRIC DATA

Zonal Lumens Cone Between Lumens

0.0 0.0- 2.5 81.44
 5.0 2.5- 7.5 667.98
 10.0 7.5- 12.5 1402.16
 15.0 12.5- 17.5 2119.94
 20.0 17.5- 22.5 2723.88
 25.0 22.5- 27.5 3148.74
 30.0 27.5- 32.5 3308.00
 35.0 32.5- 37.5 3185.91
 40.0 37.5- 42.5 3022.80
 45.0 42.5- 47.5 2792.15
 50.0 47.5- 52.5 2559.42
 55.0 52.5- 57.5 2374.13
 60.0 57.5- 62.5 2207.33
 65.0 62.5- 67.5 2046.81
 70.0 67.5- 72.5 1869.91
 75.0 72.5- 77.5 1530.08
 80.0 77.5- 82.5 1009.17
 85.0 82.5- 87.5 408.27
 90.0 87.5- 92.5 52.65

Average Luminaire Luminance (cd/m²):

0 45 90
 0 17596.86 17596.86 17596.86
 45 18040.79 10666.39 8422.12
 50 17890.40 9005.40 8727.53
 55 17358.28 8230.01 9947.03
 60 16824.70 8205.52 11278.68
 65 16280.29 9266.86 12856.27
 70 14942.71 11154.40 14491.59
 75 12653.98 12225.17 13997.04
 80 9801.68 11318.60 11536.51
 85 7449.99 6848.58 5738.94

Coefficients of Utilization - Zonal Cavity Method:

pfc = 0.20
 pcc .8 .7 .5
 pw .7 .5 .3 .1 .7 .5 .3 .1 .5 .3 .1
 RCR
 pfc = 0.20
 pcc .8 .7 .5
 pw .7 .5 .3 .1 .7 .5 .3 .1 .5 .3 .1
 RCR
 0 108 108 108 108 106 106 106 106 106 101 101 101
 1 99 94 90 87 96 92 89 85 88 85 83
 2 90 82 76 71 87 81 75 70 77 73 68
 3 82 73 65 59 80 71 64 59 69 63 58
 4 76 65 57 51 73 64 56 51 61 55 50
 5 70 58 50 44 68 57 50 44 55 49 43
 6 65 53 45 39 63 52 44 39 50 43 38
 7 60 48 40 35 59 47 40 35 46 39 34
 8 56 44 36 31 55 43 36 31 42 36 31
 9 53 41 33 28 51 40 33 28 39 33 28
 10 49 38 30 26 48 37 30 26 36 30 26