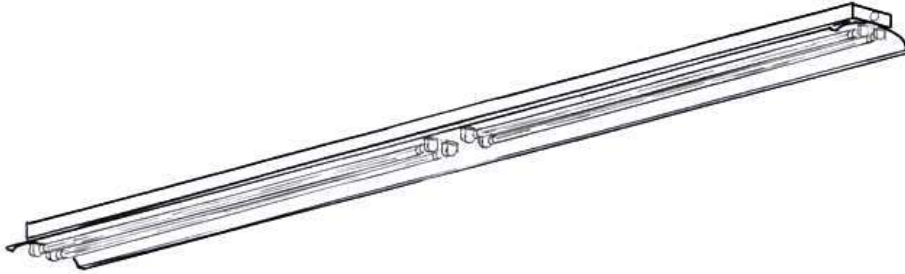


IS18-4T5HOW (White Powder Coated Reflector)

IS18-4T5HOM (Mirror Type Reflector)

LINEAR FLUORESCENT INDUSTRIAL STRIP FIXTURE 4-LAMP T5HO



FIXTURE FEATURES

- Applications include commercial, industrial, retail and residential
 - Heavy duty fixture housing with reinforcing ribs for added rigidity
 - White steel powder coated or aluminum mirror reflector
 - All metal surfaces are white powder coated after fabrication
 - Lock tight rotary lock lamp holders for positive lamp contact
 - Fixture end caps are securely connected to the main body for added rigidity and ease of installation
 - Fixture can be individual or row-mounted using end plate knock-outs
 - 1/4 turn fasteners retain the ballast cover for quick and easy installation
 - Quick disconnect is included for ease of installation.
 - Heavy gauge die embossed steel housing for maximum strength
 - Engineered for use with T5HO, 54W lamps (not included)

FIXTURE CONSTRUCTION

Fixtures are manufactured using die-embossed, code gage steel

FINISH

All steel parts of the fixture are white powder coated after fabrication eliminating sharp unpainted edges and corners

BALLAST AND ELECTRICAL

Ballasts are 120-277 volt, energy efficient electronic, thermally protected, automatic resetting, class P, high power factor and sound rated A. Lamp holders are positive stop locking type

MOUNTING

Fixtures can be surface mounted or hung by cable or chain. Fixtures can also be hung as individual units or row-mounted using end plate knock-outs.

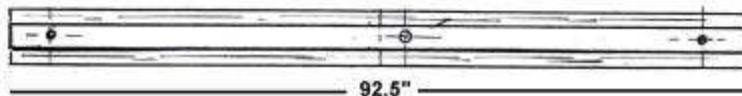
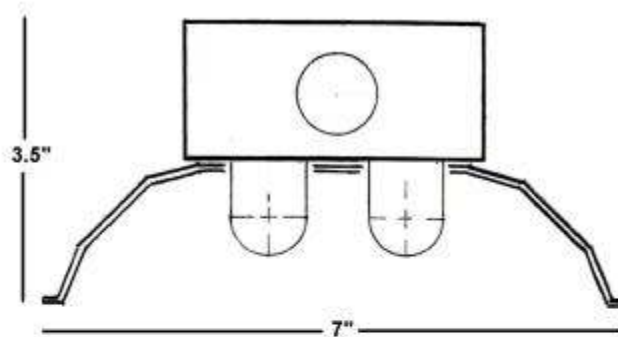
LISTING

ETL 3097700 listed, conforms to UL 1598. Certified to CSA C22.2 No. 250.0.

OPTIONAL ACCESSORIES

- Wire guard
- Aircraft type hanging cable

FIXTURE DIMENSIONS



PHOTOMETRIC DATA

Photometric data available upon request